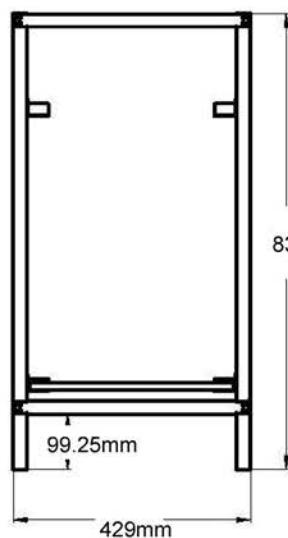




Glass Rack & Bench Support (with accessories)



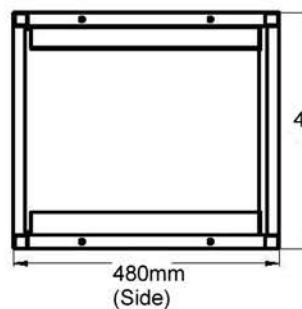
**All 304 grade
Stainless Steel**



830mm (add 40 to 80mm for adjustable feet (feet supplied))

Legs can be cut down to suit lower benches (4 adjustable feet supplied)

(Front)



429mm (Back)

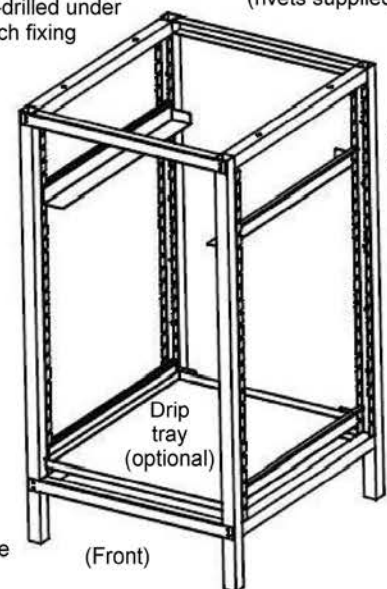
480mm (Side)

25mm tube

Pre-drilled under bench fixing

Folded and pre-drilled horizontal supports (4) (rivets supplied)

Adjustable tray slides



Drip tray (optional)

(Front)



4 adjustable feet

Code

GRACK

Complete glass rack including 4 pair of adjustable tray slides, 4 adjustable feet and 16 stainless steel rivets. Pre-drilled holes for riveting horizontal supports and under bench fixing.

GRADD

Add on glass rack bay consists of 4 horizontal supports, 1 end frame, 4 pair of adjustable tray slides, 2 adjustable feet and 8 stainless steel rivets.

Accessories:

GRTRA

Glass rack drip tray

GRSLI

Glass rack tray slides (standard pair)

GRSMT

Glass rack tray slides (1mt long pair)

GRNOT

Glass rack notched channel for holding tray slides (1mt long single)